

TECHNICAL SPECIFICATION

3870 HSG

Pre-vacuum Steam Sterilizer

PRODUCT DESCRIPTION

The 3870 HSG horizontal autoclave is designed for sterilization of wrapped and unwrapped instruments and related items found in dental, medical, and veterinary clinics, first aid rooms, hospitals, laboratories, etc.

Being a steam-heated sterilizer, the 3870HSG uses steam as the sterilizing agent. The autoclave has a computerized control unit which ensures a fully automatic sterilization cycle, control and monitoring of physical parameters and a clear documentation of the sterilization cycle.

The autoclave is equipped with a vacuum pump (HSG-D models only). Drying is performed with the door closed.

CONTROL SYSTEM

The Control System control and monitors the physical parameters of the sterilization process in real time and performs the operation sequence of the machine, according to a user selected program. The system includes a multicolor display, a USB connection and thermal printer. The interface is multilingual (26 languages).

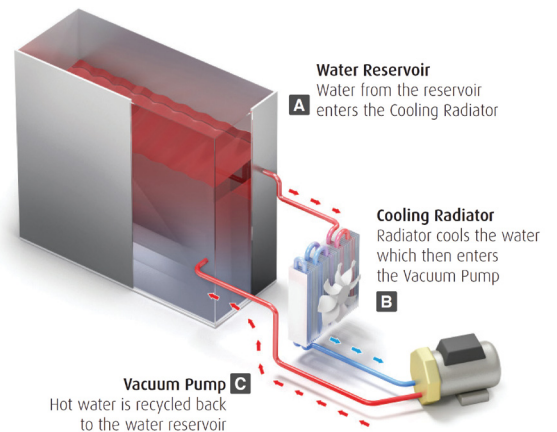
WATER SAVING SYSTEM

The optional water recycling system (WS model) achieves huge water savings, consuming only 5 liters of tap water per day.

PRODUCT SPECIFICATION

TEHKNICAL SPECIFICATIONS

Chamber	Diam.	384 mm
	Depth	758 mm
Chamber Volume		85 liters
Useful Chamber Volume		79.3 liters
Max. Allowable Working Pressure		2.8 bar
Max Load		30 kg solid load or 7 kg textile
Tray Dimensions	Large	350 x 675 x 25 mm
	Small	286 x 675 x 25 mm
No. of Trays		2
Net Weight		318 kg
Shipping Weight		340 kg
Overall Dimensions	Width	722 mm
	Height	1366 mm
	Depth	1184 mm



9 kW STEAM GENERATOR'S DATA

Max. Working Pressure	3 BarG
Safety Relief Valve	5 BarG

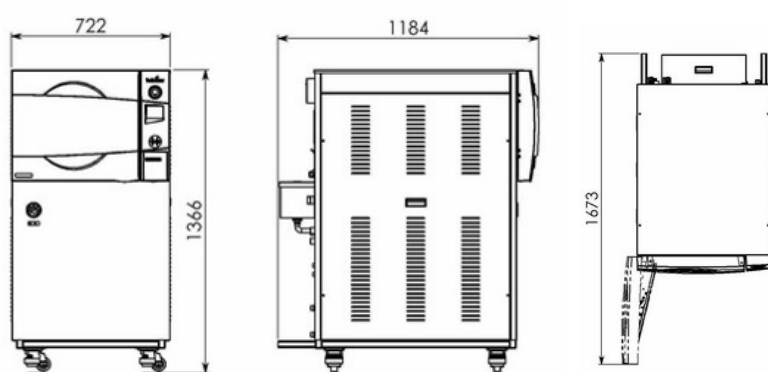
UTILITIES

Mineral-free Water Inlet	1/2", 1-3 Barg
Tap Water Inlet	1/2", 2-5 Bar
Drain	1/2" withstanding temp. of 80°C

AUTOCLAVE'S ELECTRICAL DATA

Power Supply	3 x 380 V	13.7 A per line
	3 x 208 V	25 A per line
	3 x 230 V	22.6 A per line
	1 x 230 V *	39.1 A
Total Power	9000 W	
Frequency	50/60 Hz	
Protection against Electrical Shock	Class I (IEC 60601-1)	
Degree of Protection by Enclosure	IP31	

Note: * Includes switchbox.



STANDARDS AND DIRECTIVES

Tuttnauer products meet the provisions of the following directives and standards:

Quality Standards:

ISO 9001:2015 (Quality Management Systems)
EN ISO 13485:2016 Quality Management System
In compliance with 21 CFR part 820 & part 11

Directives:

MDD 93/42/EEC amended in Directive 2007/47/EC
PED 2014/68/EU - Pressure Equipment Directive
2012/19/EU WEEE and (EU) 2017/2102 RoHS
DIN 58951-2:2003 Steam Sterilizers for Laboratory

Technical Standards:

EN 285: 2015 Large Steam Sterilizer
EN 13060: 2014+A1: 2018 Small steam sterilizers
EN 61010-1: 2010
EN 61010-2-040: 2020
EN 61326-1: 2013
EN 13060, EN 62304, EN 62366
ANSI/AAMI/ST8:2013 (R2018)
ANSI/AAMI - ST55:2016
ASME Code, Section VIII, Division I
ASME Code, Section I

You take care of your patients and leave everything else to us.

Renowned global leaders
in infection control solutions with
more than

95 years'
experience

Products distributed
to clinics, hospitals and research
institutions in more than

140
countries

International Sales
and Marketing
E-mail: info@tuttnauer.com
www.tuttnauer.com

Tuttnauer Europe b.v.
Hoeksteen 11, 4815 PR
PO Box 7191, 4800 GD Breda
The Netherlands
Tel: +31 765 423 510
Fax: +31 765 423 540
E-mail: info@tuttnauer.nl

Tuttnauer USA Co.
25 Power Drive,
Hauppauge, NY 11788
Tel: +800 624 5836, +631 737 4850
Fax: +631 737 0720
E-mail: info@tuttnauerUSA.com

Distributed by:

Tuttnauer
Innovation · Legacy · Partnership

Learn from our Experts
Join our blog tuttnauer.com/blog

